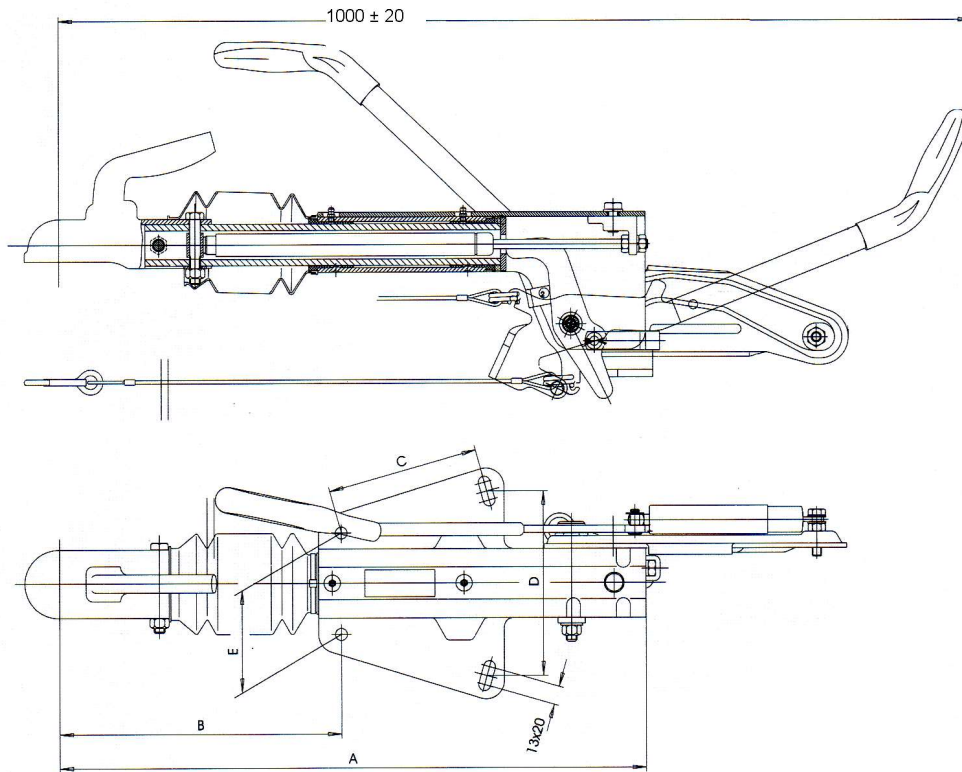


5. CRITICAL DIMENSIONS OF KNOTT COUPLERS

The following pages detail the **BURQUIP** Range of Knott Braked and Unbraked Couplers. All the available eyes are also specified.

a) Knott Braked Couplers for A-frames i. Pressed Steel Body (KF Series)



CODE	RANGE (kg)	MAX STATIC LOAD (kg)	A (mm)	B (mm)	C (mm)	D (mm)	E (mm)	SOCKET CODE	UNIT MASS (kg)
CBK1300B	750 - 1400	100	645	285	166	200	120	CBKBALL45A	15.5
CBK2000B	1100 - 2000	100	645	285	166	200	120	CBKBALL45	20.5
CBK2000C	1100 - 2000	100	645	285	166	200	120	CBKBALL45	20.5
CBK2700B	1600 - 2700	100	669	276	166	200	120	CBKBALL50	22.5

